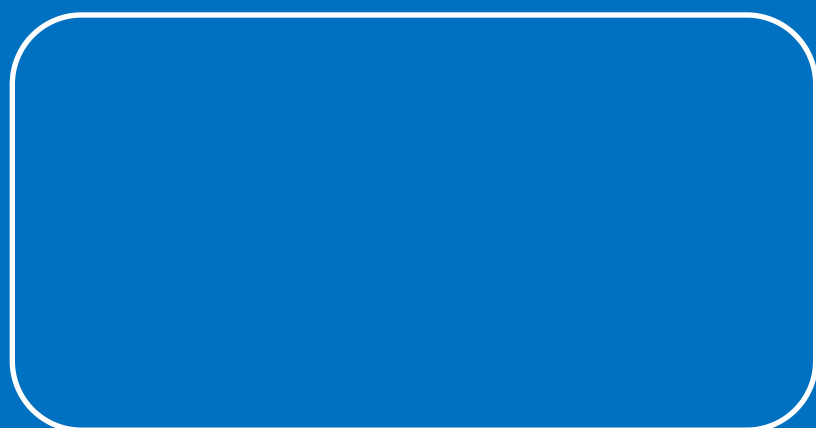


# It can customize and develop all kinds of remote controls for industrial applications according to customer requirements.

- 1. Focus on wireless radio controls for industrial applications technology for 16 years
- 2. You can choose from many styles of radio controls
- 3. Controllable proportional valve and frequency converter; PLC, motor and other equipment
- 4. The radio control has many output modes to choose from: 485, 232, CAN, switch value + analog value.
- 5. The customization period is short, generally 15 working days.
- 6. There is no limit to the number of customizations, and the minimum order quantity is 1 set.

Nanjing Xiading Electronic Technology Co., Ltd.



## Wireless radio controls for industrial applications

### Selection manual

Radio controls for industrial applications.



NANJING XIADING ELECTRONIC TECHNOLOGY CO.,LTD



Nanjing Xiading Electronic Technology Co., Ltd. is the leading manufacturer of wireless remote control systems in the world. Xiading Company has accumulated more than ten years of professional and technical experience in R&D, manufacturing and sales of industrial radio controls. It has passed the certification of most major industrial countries in the world, such as the European Union, the United States, Britain, Japan, Canada, Italy, Portugal, Belgium, etc. Its products are sold in more than 60 countries and regions in the world, such as Europe, America, Asia and Australia.

With long-term accumulated solid experience, we firmly believe that most industrial equipment can realize wireless operation, and are committed to providing customers with competitive, safe and reliable products in the fields of lifting equipment, metallurgy, construction machinery, automobile manufacturing, paper making, shipbuilding, nuclear power generation and construction machinery.



### What have we brought to the world?

#### ● Create value for customers

Xiading Electronics is committed to providing high-quality and innovative solutions to meet customer needs.

#### ● Promote sustainable social development

As a responsible corporate citizen, we are committed to the wireless transmission of global industrial electrical instructions and the elimination of the shackles of equipment cables. Promote the concept of green and low-carbon environmental protection, and provide customers with leading energy-saving and environmental protection products and solutions from product planning, design, R&D, manufacturing, delivery and operation and maintenance. Energy saving and efficiency improvement are our DNA.

#### ● Promote the sound development of the industry

Xiading Electronics advocates openness, cooperation and win-win, cooperates with customers, partners and friends to innovate, expands industrial value and forms a healthy and benign industrial ecosystem. Join many standards organizations, industry associations and open source communities, actively participate in and support the formulation of industry standards and the protection of intellectual property rights, and build a win-win ecological circle. Facing the development trend of wireless remote control, we will cooperate with industrial partners to promote the sustainable and sound development of the industry.

#### ● Promote economic growth

Xiading Electronics not only brings direct tax contribution to the host country, but also promotes local employment. More importantly, it creates wireless command transmission of industrial equipment through innovative solutions, promotes intelligent transformation of the industry, promotes economic growth, and improves people's quality of work and life.

#### ● Employee value proposition

Xiading Electronics provides employees with a platform for career and personal development in various ways, including corporate culture, employee welfare, teamwork, job challenges and ability improvement. What we are interested in is your excellent ability to serve customers.





## Corporate honor



Xiading Electronics will continue to focus on the wireless remote control system of electrical command and the intelligent terminal control system of electrical automation, and make steady and continuous investment in products, technologies, basic research, engineering capabilities, standards and industrial ecology, adhere to the customer-centered principle, live up to the historic opportunity generously given to us by the times, and build the cornerstone of the company to build safer and more convenient wireless command products and intelligent control systems.

### Research and development

Xiading is committed to transforming leading technology into better and more competitive product solutions to help customers achieve business success, thus driving their own human resources and financial indicators to increase value.

Xiading has made some research achievements in future-oriented basic research and innovation, hoping to contribute to the development of the industry with the help of technological innovation breakthroughs, and will continue to actively explore wireless and intelligent, and make progress in command wireless exchange and intelligent control.

Xiading and the world's outstanding resources jointly carry out open and innovative cooperation to jointly promote the development of wireless and intelligent technologies. We are open and cooperative with many research institutes, units and scholars in various professional fields such as product industrial design, wireless data transmission and intelligent control, adhere to open technological innovation, promote win-win cooperation between production, education and research, give attention to personnel training, develop advanced algorithms, and solve basic problems of technology development, manufacturing process and practical application by using basic physics concepts.



Design Patent Certificate 30 +

Patent Certificate of Utility Model 30 +



Patent Certificate of Software Works 20 +



Explosion-proof certificate 20 +

# Q Series wireless remote controls for industrial applications



Safe • Reliable



Knob

Wireless narrow frequency design, adjacent frequency can not interfere, switched power supply system;  
 Programmable output setting without fear of instantaneous voltage drop of line;  
 Fully meet your needs independent emergency stop button;  
 When pressed, the system will unconditionally stop the design of SmartRF high frequency module;  
 Ultra-high-level European code buttons built in the channel can be changed at will;  
 Effectively press up to 10 million single/two-speed and up to 12-point control buttons;  
 Fully meet your needs, hidden high-efficiency antenna;  
 It is not easy to break and the effective distance is higher than 100M,  
 The transmitter can directly copy the receiver without professional equipment;  
 Safe, simple and efficient industrial grade PA shell, impact-resistant, waterproof and oil-proof;  
 Complete compliance with IP66/NEMA international standards.

## Specification

### Transmitter specification

Frequency: 433/480 MHz  
 Transmitter RF power: less than 10mW  
 Remote control distance: 100M  
 Power supply: LR (AA) 1.5 Vx2 DC3V  
 Modulation mode: GFSK  
 Frequency control: PLL  
 Antenna impedance: 50 Ω  
 Instruction response time: less than 100ms  
 Stop command response time: less than 100ms  
 Average power consumption: 8mA @ DC3V  
 Operating temperature:-35 °C+ 75 °C  
 Shell material: Industrial PA6+30% GF  
 Protection level: IP65

### Receiver specification

Frequency: 433/480 MHz Shell Material: Industrial PA6+30% GF  
 Receiving sensitivity:-112dBm Protection level: IP65  
 Remote control distance: 100M  
 Modulation mode: GFSK  
 Frequency control: PLL  
 Antenna impedance: 50 Ω  
 Reaction time: 20-100MS  
 Capacitance: 5A @ 250V  
 Power supply: AC/DC24V - 48V(50HZ~60HZ)  
 AC/DC24V - 264V(50HZ~60HZ)  
 AC/DC110V-460V(50HZ~60HZ)  
 DC12~24V  
 Average power consumption (standby) 15mA @ AC220V  
 Operating temperature:-35 °C+ 75 °C

## Selection date

Model	Control points	Transmitter size	Transmitter size	
Q200	2-point single speed + emergency stop + start	14.5 * 7.5 * 3.8cm	10.2 * 7 * 8.3cm	
Q202	2-point two-speed + emergency stop + start			
Q400	4-point single speed + emergency stop + start			
Q404	4-point two-speed + emergency stop + start	19 * 7.2 * 3.9cm	15 * 8.75 * 18cm	
Q600	6-point single speed + emergency stop + start			
Q602	2-point two-speed +4-point single-speed + emergency stop + start			
Q606	6-point two-speed + emergency stop + start			
Q800	8-point single speed + emergency stop + start	23.9 * 7.2 * 3.9cm	20.5 * 7 * 22cm	
Q808	8-point two-speed + emergency stop + start			
Q1000	10-point single speed + emergency stop + start	24.7 * 14.5 * 18cm		24.5 * 14 * 18cm
Q1010	10-point two-speed + emergency stop + start			
Q1200	12-point single speed + emergency stop + start			
Q1212	12-point two-speed + emergency stop + start			
Q5000	8-direction 5-speed			

**Q Series-Handheld Transmitter Technical data**



Model: Q200  
2-point single speed button  
Length148×Width76×Height40 mm  
Weight: 0.24kg



Model: Q400  
4-point single speed button  
Length148×Width76×Height40 mm  
Weight: 0.24kg

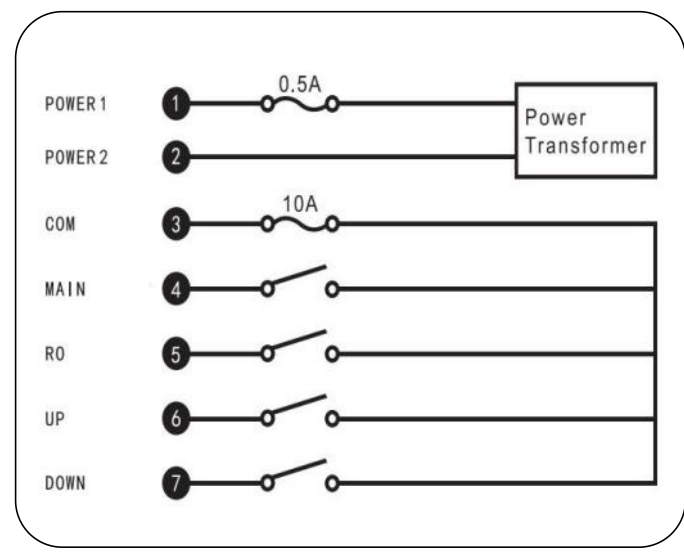


Model: Q202  
2-point two-speed button  
Length148×Width76×Height40 mm  
Weight: 0.24kg

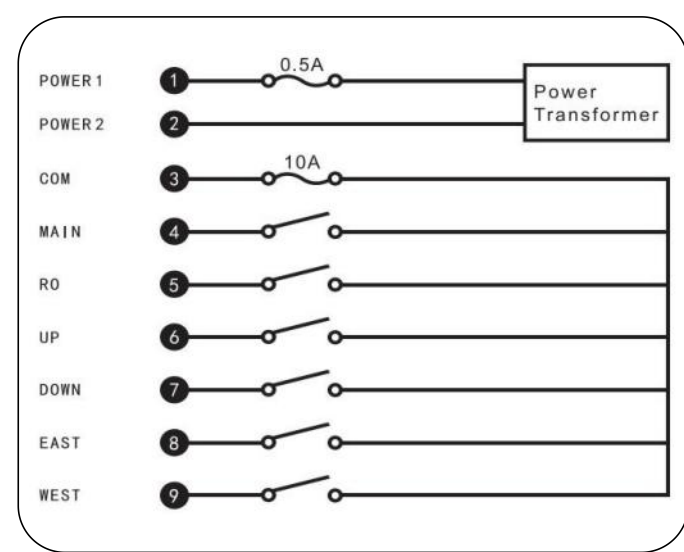


Model: Q404  
4-point two-speed button  
Length148×Width76×Height40 mm  
Weight: 0.24kg

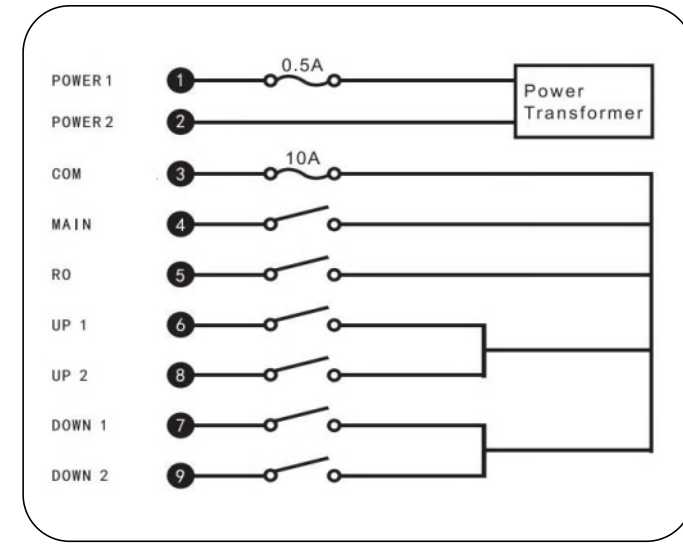
**Q200 wiring diagram**



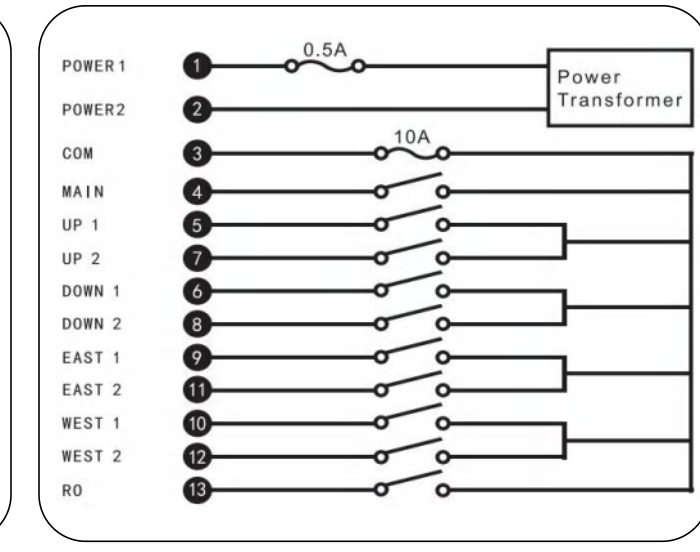
**Q400 wiring diagram**



**Q202 wiring diagram**

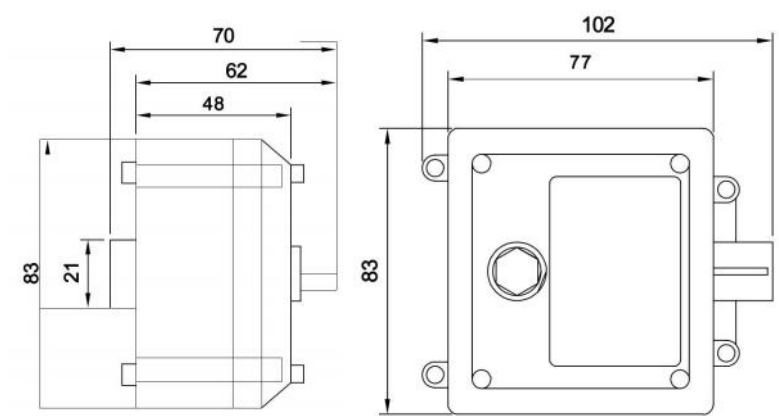


**Q404 wiring diagram**



- Ergonomic and lightweight      •High safety and reliability      •Wireless remote control pairing
- The application of programmed functions and parameters can be used by computer interface to change the required function settings.
- Multiple safety protection design, over 4.3 billion never-repeat safety codes, fault self-diagnosis and automatic frequency locking tracking.
- Synchronous encoding and decoding data transmission technology, with software to eliminate interference, debug and correct functions.
- Up to 200 sets of channels that can be set by the user's own computer.
- The transmitter buttons can be pressed continuously for 2 million times, which is absolutely sturdy and durable.
- Low power consumption design: it can be used for 3 months with two No.5 batteries
- The operating distance is 100 m (the computer software can adjust the maximum 500 m)
- The receiver can automatically search for the transmitter channel function, and the replacement of the transmitter does not need professional equipment pairing.
- The transmitter and receiver are built-in antennas (the receiver can be equipped with external antennas separately)
- Industrial grade reinforced nylon shell, high temperature resistance, waterproof, oil-proof fully comply with IP65/NEMA international specifications.

**Receiving device Technical data**



Receiver  
Length102×Width70×Height83mm  
Weight: 0.42kg

Q Series-Handheld Transmitter Technical data



Model: Q600  
6-point two-speed button  
Length192×Width76×Height40 mm  
Weight: 0.28kg



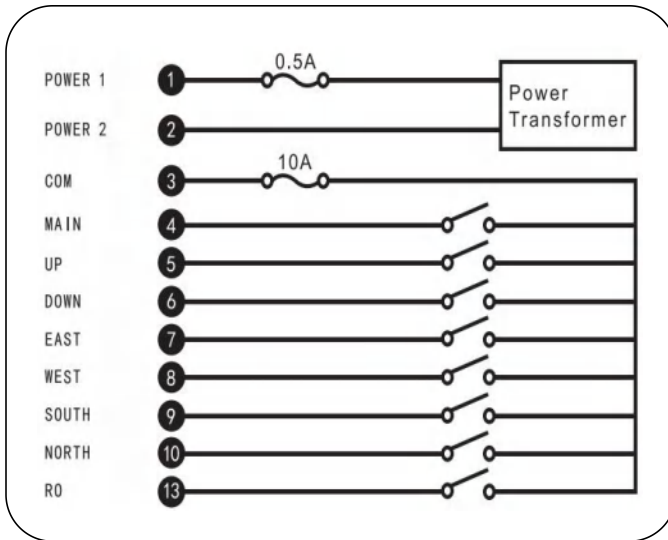
Model: Q602  
2 -point two-speed +4-point single speed button  
Length192×Width76×Height40 mm  
Weight: 0.28kg



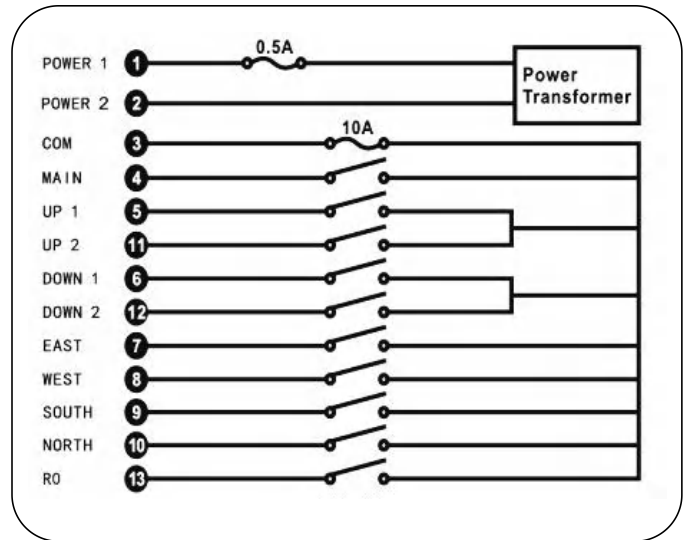
Model: Q800  
8-point single speed button  
Length192×Width76×Height40 mm  
Weight: 0.28kg



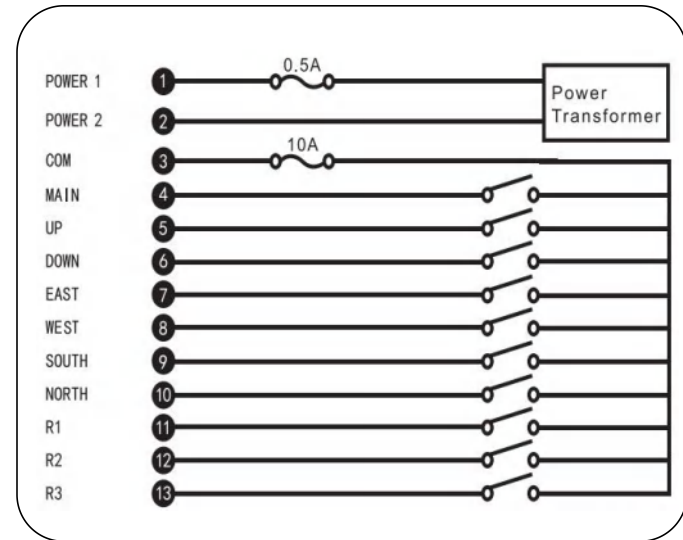
Q600 wiring diagram



Q602 wiring diagram



Q800 wiring diagram

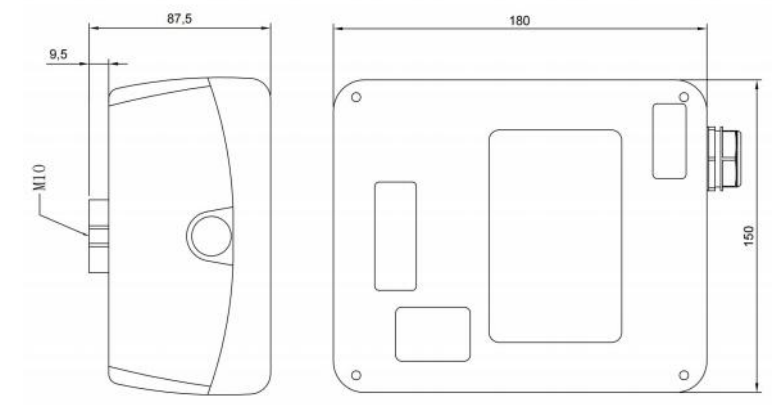


- Ergonomic and lightweight
- High safety and reliability
- Wireless remote control pairing
- The application of programmed functions and parameters can be used by computer interface to change the required function settings.
- Multiple safety protection design, over 4.3 billion never-repeat safety codes, fault self-diagnosis and automatic frequency locking tracking.
- Synchronous encoding and decoding data transmission technology, with software to eliminate interference, debug and correct functions.
- Up to 200 sets of channels that can be set by the user's own computer.
- The transmitter buttons can be pressed continuously for 2 million times, which is absolutely sturdy and durable.
- Low power consumption design: it can be used for 3 months with two No.5 batteries
- The operating distance is 100 m (the computer software can adjust the maximum 500 m)
- The receiver can automatically search for the transmitter channel function, and the replacement of the transmitter does not need professional equipment pairing.
- The transmitter and receiver are built-in antennas (the receiver can be equipped with external antennas separately)
- Industrial grade reinforced nylon shell, high temperature resistance, waterproof, oil-proof, fully comply with IP65/NEMA international specifications.

Receiving device Technical data



Receiver  
Length150×Width87.5×Height180 mm

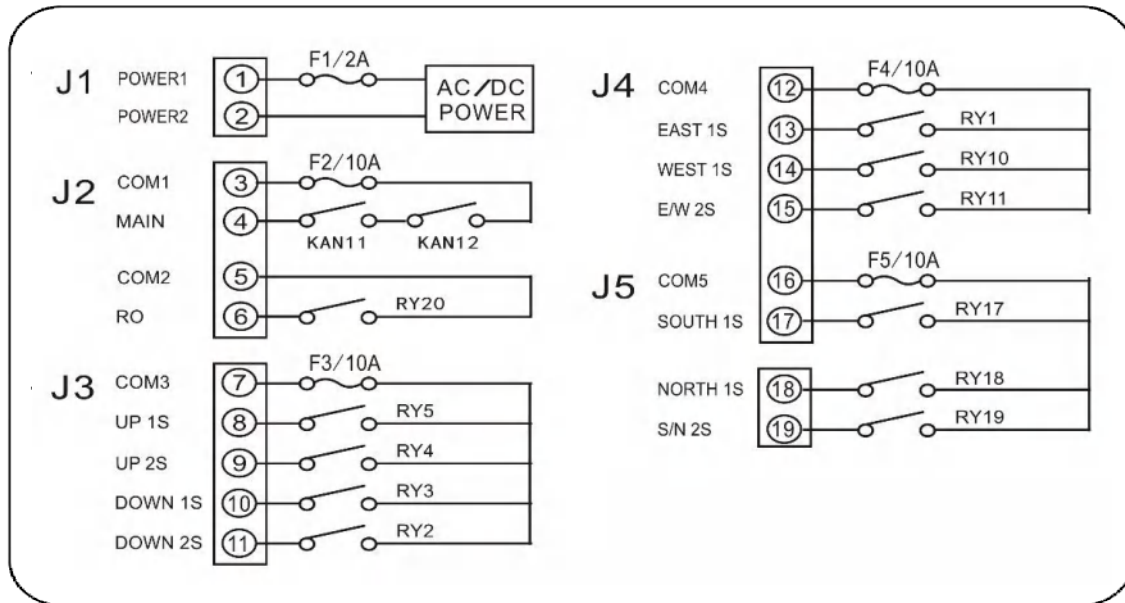


Weight: 0.90kg



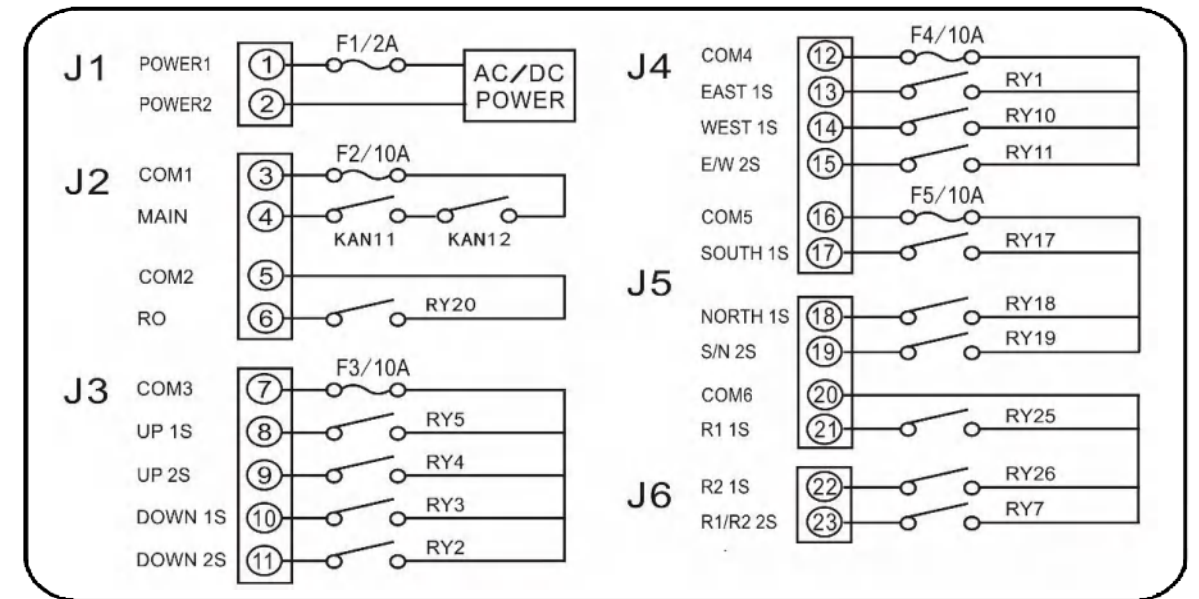
Model: Q606  
6-point two-speed button  
Length190×Width72×Height39 mm  
Weight: 0.28kg

Q606 wiring diagram



Model: Q808  
8-point two-speed button  
Length190×Width72×Height39 mm  
Weight: 0.28kg

Q808 wiring diagram



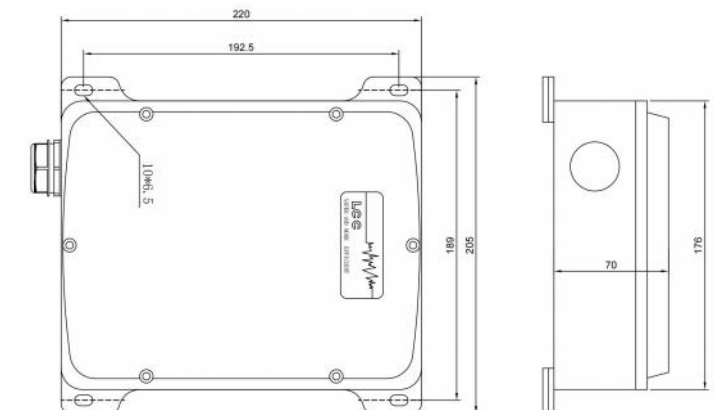
- Ergonomic and lightweight    ·High safety and reliability    ·Wireless remote control pairing
- The application of programmed functions and parameters can be used by computer interface to change the required function settings.
- Multiple safety protection design, over 4.3 billion never-repeat safety codes, fault self-diagnosis and automatic frequency locking tracking.
- Synchronous encoding and decoding data transmission technology, with software to eliminate interference, debug and correct functions.
- Up to 200 sets of channels that can be set by the user's own computer.
- The transmitter buttons can be pressed continuously for 2 million times, which is absolutely sturdy and durable.
- Low power consumption design: it can be used for 3 months with two No.5 batteries
- The operating distance is 100 m (the computer software can adjust the maximum 500 m)
- The receiver can automatically search for the transmitter channel function, and the replacement of the transmitter does not need professional equipment pairing.
- The transmitter and receiver are built-in antennas (the receiver can be equipped with external antennas separately)
- Industrial grade reinforced nylon shell, high temperature resistance, waterproof, oil-proof, fully comply with IP65/NEMA international specifications.

Receiving device Technical date



Receiver  
Length205×Width70×Height220mm

Weight: 1.30kg



**Q Series-Handheld Transmitter Technical data**



Model: Q1000  
10-point single speed button  
Length239×Width72×Height39mm  
Weight: 0.36kg



Model: Q1200  
12-point single speed button  
Length239×Width72×Height39mm  
Weight: 0.36kg

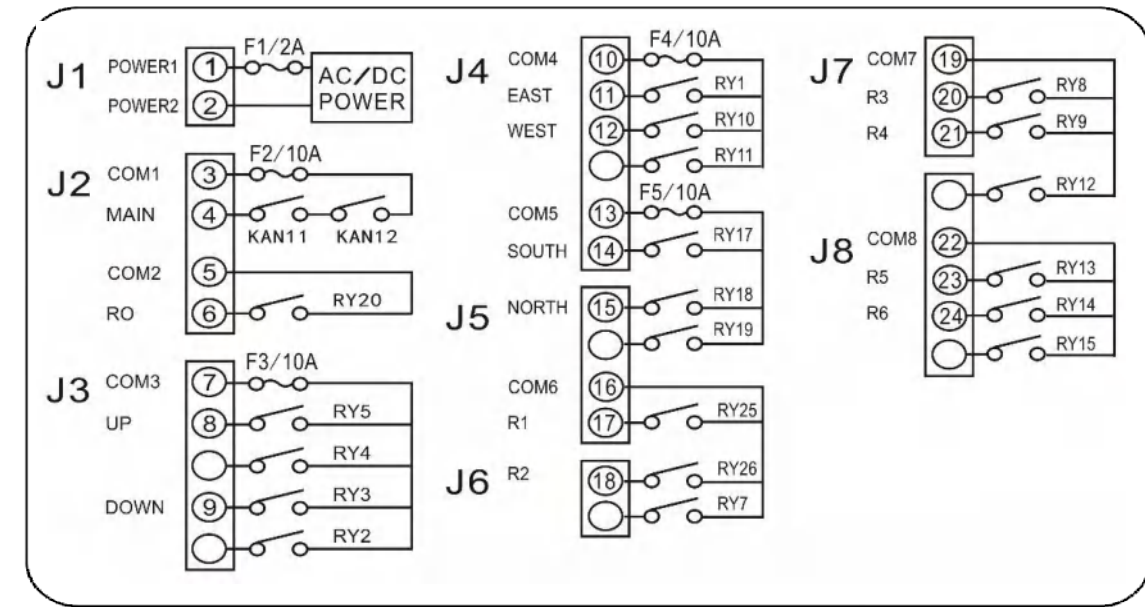


Model: Q1010  
10-point two-speed button  
239×72×39 mm  
Weight: 0.36kg

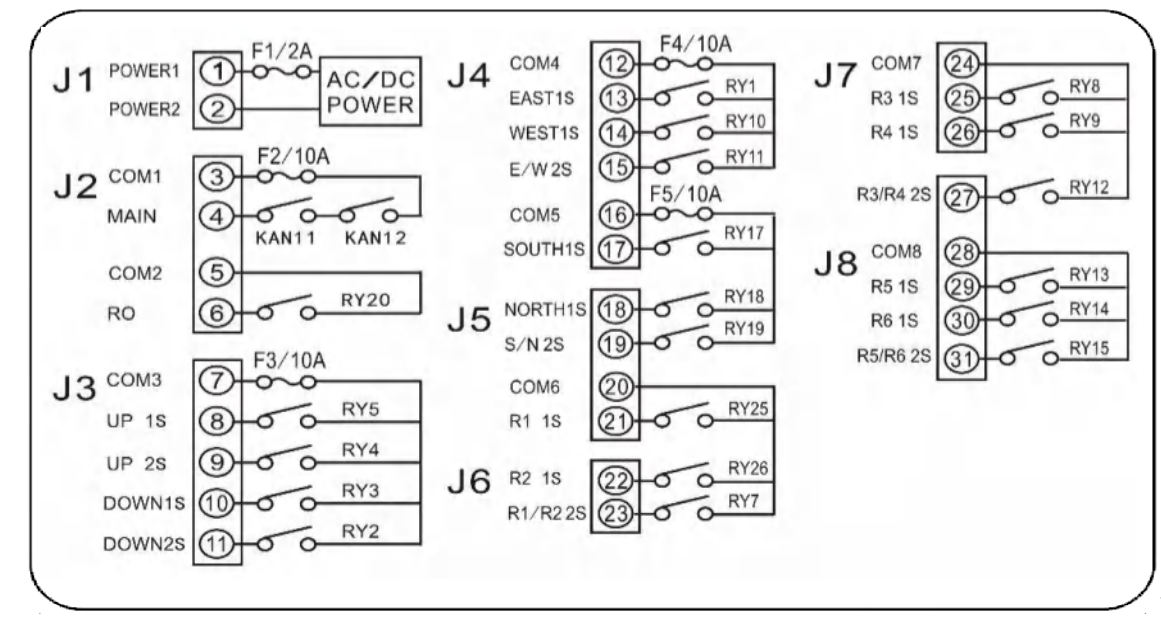


Model: Q1212  
12-point two-speed button  
Length239×Width72×Height39mm  
Weight: 0.36kg

Q1000/Q1200 wiring diagram



Q1010/Q1212 wiring diagram

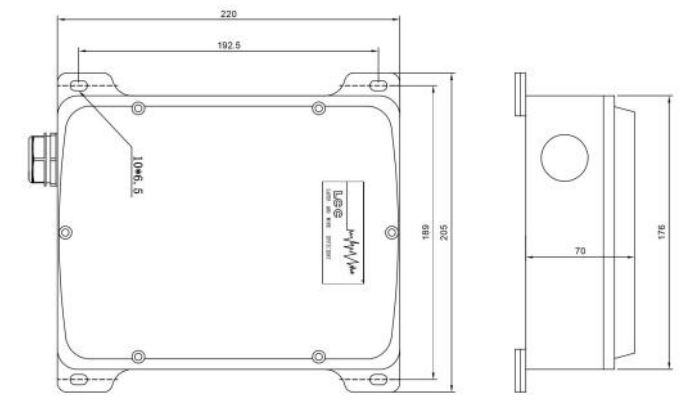


- Ergonomic and lightweight    ·High safety and reliability    ·Wireless remote control pairing
- The application of programmed functions and parameters can be used by computer interface to change the required function settings.
- Multiple safety protection design, over 4.3 billion never-repeat safety codes, fault self-diagnosis and automatic frequency locking tracking.
- Synchronous encoding and decoding data transmission technology, with software to eliminate interference, debug and correct functions.
- Up to 200 sets of channels that can be set by the user's own computer.
- The transmitter buttons can be pressed continuously for 2 million times, which is absolutely sturdy and durable.
- Low power consumption design: it can be used for 3 months with two No.5 batteries
- The operating distance is 100 m (the computer software can adjust the maximum 500 m)
- The receiver can automatically search for the transmitter channel function, and the replacement of the transmitter does not need professional equipment pairing.
- The transmitter and receiver are built-in antennas (the receiver can be equipped with external antennas separately)
- Industrial grade reinforced nylon shell, high temperature resistance, waterproof, oil-proof fully comply with IP65/NEMA international specifications.

**Receiving device Technical data**



Receiver  
Length205×Width70×220 mm



Weight: 1.48kg

# A Series-Mini Transmitter Handheld transmitter



- Miniature and lightweight appearance
- High safety and reliability
- Wireless remote pairing
- IP65-compliant waterproof/oil/dust-proof enclosures



The transmitter key can be pressed continuously for 2 million times.

Low power consumption design: use two No.5 batteries for 3 months

The application of programmable functions and parameters can be used by computer interface to change the required function settings.

200 sets of channels that can be set by the user's own computer.

Multiple safety protection design, over 4.3 billion never-repeat safety codes, fault self-diagnosis and automatic frequency locking tracking.

Synchronous encoding and decoding data transmission technology, with software to eliminate interference, debug and correct functions.

The receiver can automatically search for the transmitter channel function, and the replacement of the transmitter does not require professional equipment pairing.

## Technical specification

Frequency: 433/480 MHz  
 Transmitter RF power: less than 10mW  
 Remote control distance: 100M  
 Power supply: LR6 (AA) 1.5 Vx2 DC3V  
 Modulation mode: GFSK  
 Frequency control: PLL  
 Antenna impedance: 50 Ω  
 Instruction response time: less than 100ms  
 Stop command response time: less than 100ms  
 Average power consumption: 8mA @ DC3V  
 Operating temperature:-10 °C-+ 75A °C  
 Shell material: Industrial PA6+30% GF  
 Protection level: IP65

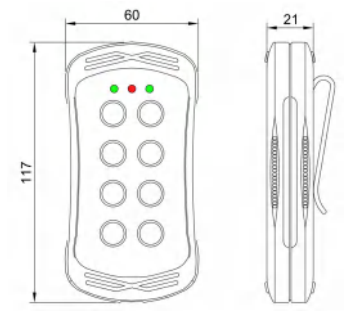
## Receiver specification

Frequency: 433/480 MHz Shell Material: Industrial PA6+30% GF  
 Receiving sensitivity:-112dBm Protection level: IP67  
 Remote control distance: 100M  
 Modulation mode: GFSK  
 Frequency control: PLL  
 Antenna impedance: 50 Ω  
 Reaction time: 50-100MS  
 Capacitance: 5A @ 250V  
 Power supply: DC 10V-30V (50HZ ~ 60HZ)  
 AC/DC 36V-480V (50HZ ~ 60HZ)  
 Average power consumption (standby) 15mA @ AC220V  
 Operating temperature:-35 °C-+ 75 °C

## Device

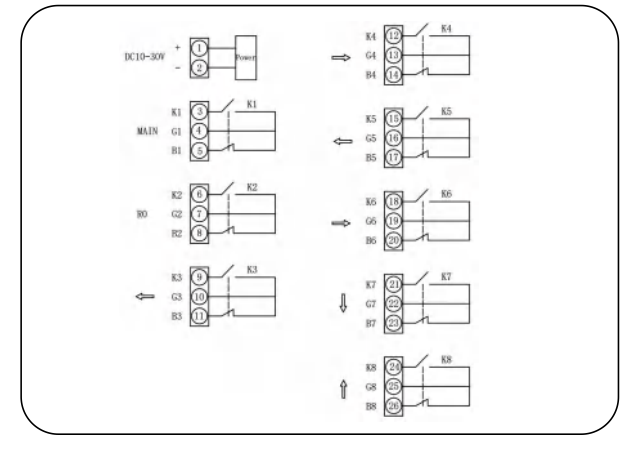
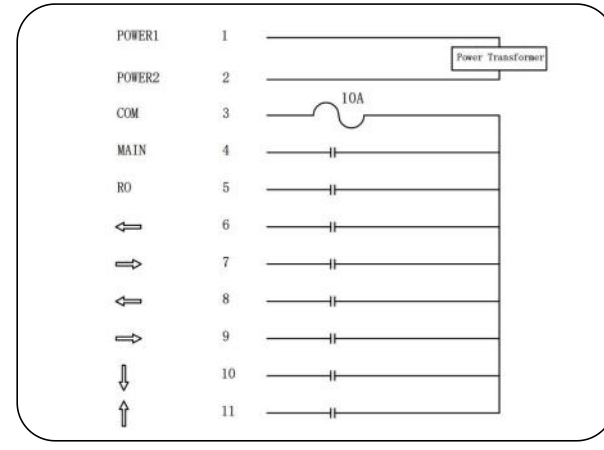


Receiver  
 Length166×Width111×Height56 mm  
 Weight: 0.46kg



Transmitter  
 Length60 ×Width21 ×Height117mm  
 Weight: 0.22kg

## wiring diagram



## customize



## Customizable:

Panel text and graphics, logical relationship, Output Mode (CAN, 485,232)

# Q5000-Double-Rocker Joystick transmitter



## Product function

2 5-gear cross operating levers with zero position detection function

2 two-position head-shaking switches, 1 three-position knob selector switch, 4 buttons, 1 emergency stop button, 1 power switch, 1 start button

The number of remote control action function points can be up to 40 actions

**Q5000 double-rocker radio control is one of the most advanced and diversified industrial radio controls at present. It is suitable for engineering applications of double-hook multi-speed and multi-function lifting equipment and handling equipment.**

◆ Super safety design, more than 4.3 billion kinds of never-repeat safety codes, fault self-diagnosis and automatic frequency locking tracking, etc.

◆ The extraordinary communication design, synchronous encoding and decoding data transmission, with software to eliminate interference, debug, correction functions.

◆ The use of advanced processors with built-in multi-bit Hamming codes: high speed, safe Height, Height accuracy, and 100 percent error-free encoding and decoding.

◆ Strongly reinforced fibre plastic enclosure: Rugged transmitter and receiver enclosures that prevent damage from strong impact and frequent drops.

◆ A super waterproof and oil resistant rating: Launch and receive in full compliance with IP66/NEMA4 international specifications.

◆ Intelligent active safety function design: such as failure to start when switch/rocker and other components fail, reinforced watchdog automatic stop device, countermeasures to prevent sudden power cut-off, etc.

◆ Full compliance with FCC Article 15 European Union safety standards.



## Technical specification

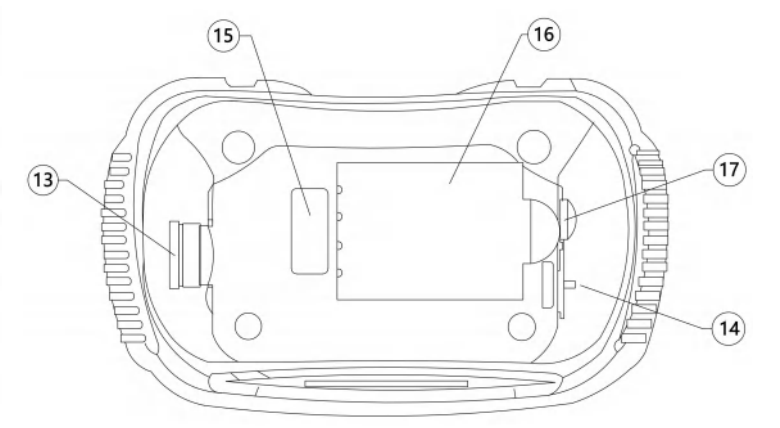
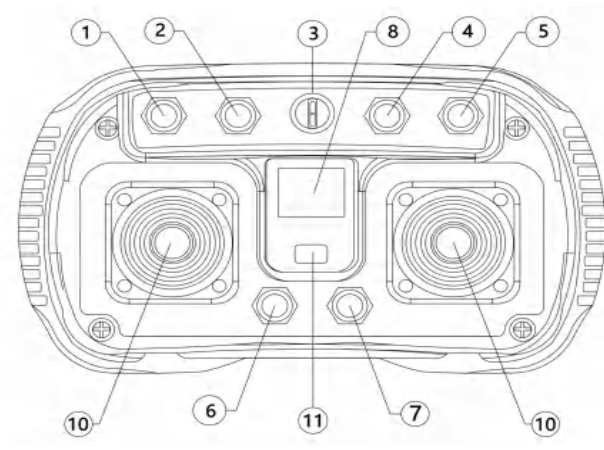
Frequency: 433MHz  
 Encoding/decoding: microcomputer processor  
 Hamming code: > 4  
 Receiver sensitivity:-116dBm  
 Reaction time: 50mS  
 Output contact: 250V @ 5A  
 Receiver power consumption: 7-20VA  
 Receiver supply voltage: AC/DC24-48V, 110-460V @ 50/60 Hz  
 Charger power consumption: 0.3-5VA  
 Receiver weight: 2.42 k  
 Transmitter size: 247mm (length) x 145mm (width) x 180mm (height)

## Receiver specification

Frequency interval: 25KHZ  
 Effective operating range: > 100 m  
 Frequency control: phase lock circuit  
 Antenna four-match impedance: 50ohms  
 Transmit power: 1.0 mW  
 Transmitter voltage: 7.4 V  
 Charger supply voltage: AC100-240V @ 5-60Hz  
 Transmitter fumigation: 1.48 kg (including battery)  
 Operating temperature:-25 C-75 C  
 Receiver size: 345mm (length) x 260mm (width) x 100mm (height)

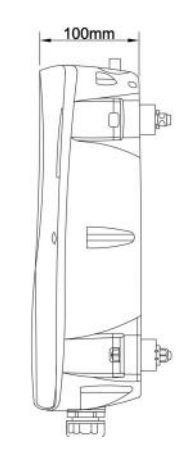
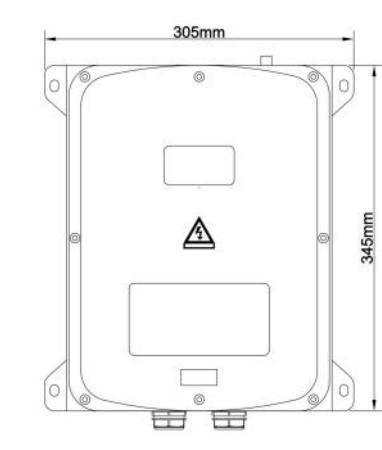
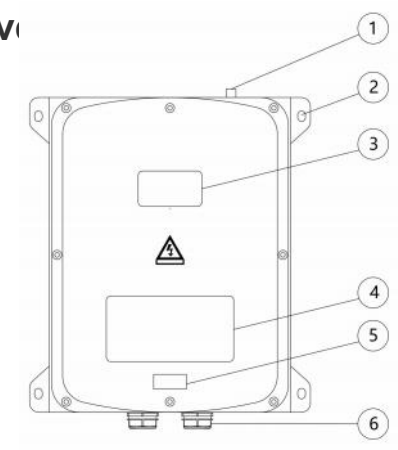
## Introduction of Product Icon

Transmitter (Length)247mm X (Width)145mm X (Height)180mm



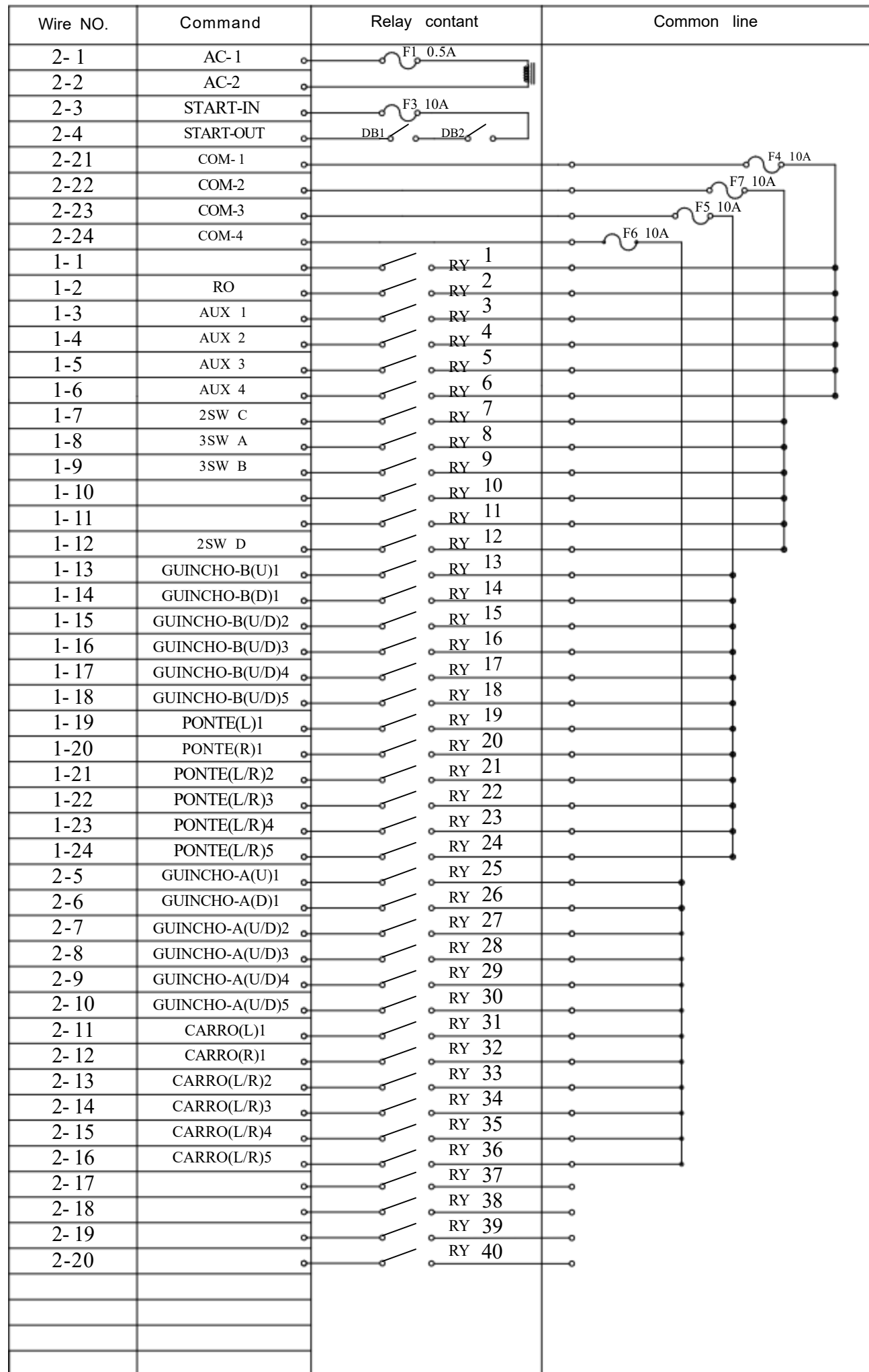
- |                         |  |                               |
|-------------------------|--|-------------------------------|
| 1.SW1 button or switch  | 7. SW7 button                          | 13. Red emergency stop button |
| 2. SW2 button or switch | 8. LCD Screen (Optional)               | 14. Power switch              |
| 3. SW3 button or switch | 9. Left Shake (L)                      | 15. System information        |
| 4. SW4 button or switch | 10. Right Shake (R)                    | 16. Batteries                 |
| 5. SW5 button or switch | 11. Status Indicator light             | 17. TART boot button          |
| 6. SW6 button           | 12. Shoulder strap/waistband connector |                               |

## Receiver



- |                                   |                |                     |
|-----------------------------------|----------------|---------------------|
| 1. External antenna BNC connector | 3. System data | 5. Shock-proof seat |
| 2. Cable locking head             | 4. Brand LOGO  | 6. Precautions      |

# Q5000 wiring diagram



# QA Series - New 2024 Recommended

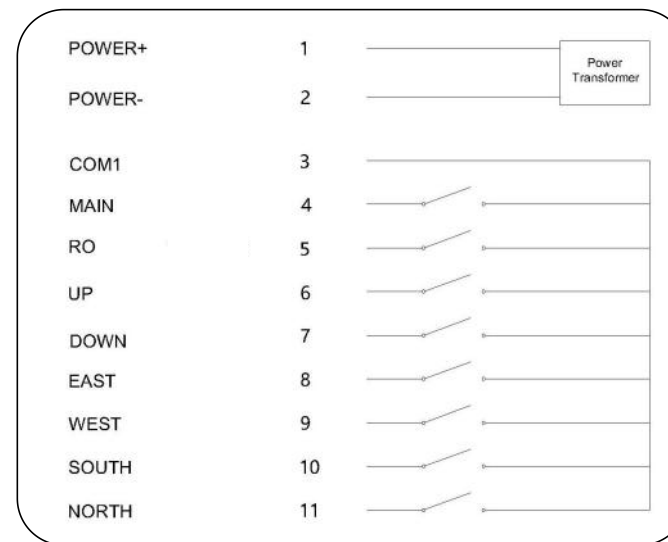


**Model: QA600**  
**6-point single-speed push**  
 Transmitter:  
 192(length)×76(width)× 40 (height) mm  
 Receiver:  
 166(length)×110(width)×56(height) mm

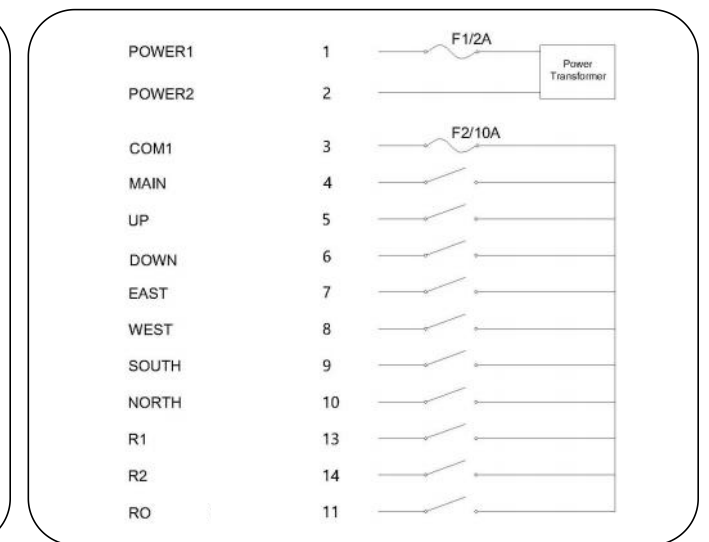


**Model: QA800**  
**8-point single-speed push**  
 Transmitter:  
 192(length)×76(width)× 40 (height) mm  
 Receiver:  
 190(length)×85(width)×55(height) mm

## QA600 wiring diagram



## QA800 wiring diagram



- Ergonomic and lightweight
- High safety and reliability
- Wireless remote pairing

The application of programmable functions and parameters can be used by computer interface to change the required function settings.

Multiple safety protection design, over 4.3 billion never-repeat safety codes, fault self-diagnosis and automatic frequency locking tracking.

Synchronous encoding and decoding data transmission technology, with software to eliminate interference, debug and correct functions.

The transmitter keys can be pressed continuously for 2 million times, which is absolutely durable.

Operating distance standard 100 m (other control distances can be customized)

The receiver can automatically search for the transmitter channel function, and the replacement of the transmitter does not require professional equipment pairing.

Industrial grade reinforced nylon shell, high temperature resistance, waterproof and oil resistance fully comply with IP66/NEMA international specifications.



## Display-X series Handheld transmitter



(standard version)  
**Model: X1010**  
**10-point single/double speed button**  
**L 239×W72×H40 mm**  
**Weight:0.40kg**



(standard version)  
**Model: X606**  
**6-point single/double speed button**  
**L 192×W 76×H 40mm**  
**Weight:0.28kg**

### Product Function

- 2-12 single and double speed buttons
- Display content can be customized
- Optional output 485, 232, CAN
- Can achieve one-to-one or one-to-many

#### •Ergonomic and lightweight

#### •High security and reliability

#### •Wireless remote control pairing

·The application of functions and parameters can be programmed through the computer interface and the required function settings can be changed

·Multiple security protection design, more than 4.3 billion never-repeated security codes, fault self-diagnosis and automatic frequency locking tracking

·Synchronous encoding and decoding data transmission technology, with software interference elimination, error detection, and correction functions

·The transmitter button can be pressed continuously for 2 million times, making it absolutely sturdy and durable.

·The standard operating distance is 100 meters (other control distances can be customized)

·The receiver can automatically search the transmitter channel function, and no professional equipment pairing is required to replace the transmitter.

·Industrial-grade reinforced nylon shell, high temperature resistance, waterproof and oil-proof, fully compliant with IP66/NEMA international specifications.

## Specification

### Transmitter specifications

Frequency: 433/480MHz  
 Transmitter RF power: less than 10mW  
 Remote control distance: 100M  
 Power supply: LR (AA) 1.5Vx2 DC3V  
 Modulation method: GFSK  
 Frequency control: PLL  
 Antenna impedance: 50Ω  
 Command response time: less than 100ms  
 Stop command response time: less than 100ms  
 Average power consumption: 8mA@DC3V  
 Operating temperature: -35°C - +75°C  
 Shell material: Industrial PA6+30%GF  
 Protection level: IP65

### Receiver specification

Frequency: 433/480MHz Shell material: Industrial PA6+30%GF  
 Reception sensitivity: -112dBm Protection level: IP65  
 Remote control distance: 100M  
 Modulation method: GFSK  
 Frequency control: PLL  
 Antenna impedance: 50Ω  
 Response time: 20-100MS  
 Capacity: 5A@250V  
 Power supply: AC/DC24V - 264V AC/DC110V-460V  
 AC/DC 9-24V AC/DC 36-480V  
 Average power consumption (standby) 15mA@AC220V  
 Operating temperature: -35°C - +75°C

## Selection date

Model	Control points	Transmitter size	Receiver size
X200	2-point single speed + emergency stop + start	14.5 * 7.5 * 3.8cm	10.2 * 7 * 8.3cm
X202	2-point double speed + emergency stop + start		
X400	4-point single speed + emergency stop + start		
X404	4-point double speed + emergency stop + start	19 * 7.2 * 3.9cm	20.5 * 7 * 22cm
X600	6-point single speed + emergency stop + start		
X602	2 -point double speed + 4 points single speed +Emergency stop+Start		
X606	6-points double speed + emergency stop + start		
X800	8-point single speed + emergency stop + start	23.9 * 7.2 * 3.9cm	
X808	8-point double speed + emergency stop + start		
X1000	10-point single speed + emergency stop + start		
X1010	10-point double speed + emergency stop + start		

# Q9000-proportional Joystick transmitter



(Length)245mm X (Width)140mm X (Height)180mm

## Product function

- Support 8 analog signal transmission (optional cross rocker, one-word pull lever or knob potentiometer).
- Up to 24-channel switches input points.
- Display screen can be installed.
- One-to-one or one-to-many can be realized.

The Q9000 Series Remote Control is a compact multi-function custom transmitter that can be easily customized to your needs. Using its modular design. All control elements are carefully sized and arranged to facilitate long-term and frequent use without fatigue.

✧ Super safety design, more than 4.3 billion kinds of never-repeat safety codes, fault self-diagnosis and automatic frequency locking tracking, etc.

✧ The extraordinary communication design, synchronous encoding and decoding data transmission, with software to eliminate interference, debug, correction functions.

✧ The use of advanced processors with built-in multi-bit Hamming codes: high speed, high security, high accuracy and 100 percent error-free encoding and decoding.

✧ Shell of reinforced fibre plastic: The rugged transmitter prevents damage from strong impact and frequent drops.

✧ Intelligent active safety function design: such as failure to start when switch/rocker and other components fail, reinforced watchdog automatic stop device, countermeasures to prevent sudden power cut-off, etc.

✧ A super waterproof and oil resistant rating: Launch and receive in full compliance with IP66/NEMA4 international specifications.



It can be customized according to customer needs.....

## Introduction to Customized Icons

LAUNCHER	
Start method	Turn on E-stop—Power on the transmitter—Press the start button
Shell model	Q9000
Size	Length 310mm
	Width 190mm
	High 180mm
Panel material	304 stainless steel
Protection class	IP65
Shutdown method	Power off the transmitter after pressing the emergency stop
Electricity	<input checked="" type="checkbox"/> 10% or more
	<input type="checkbox"/> 10% or less
Connection method	<input type="checkbox"/> Cable
	<input type="checkbox"/> CAN2.0
	<input type="checkbox"/> RS485

1	Three-position self-locking toggle switch	R-O-R
2	Three-position self-resetting toggle switch	T-O-T
3	Two-position self-locking toggle switch	O-R/R-R
4	Two-position self-resetting toggle switch	O-T/T-T
5	Three-position self-resetting self-locking toggle switch	R-O-T
6	Self-reset button	black/silver
7	Two-position self-locking rotary switch	
8	Three-position self-locking rotary switch	
9	Self-locking button	
10	Multi-position self-locking gear switch	2-11 gears
11	Single Turn Rotary Potentiometer	
12	8-direction five-speed joystick	Self-reset
13	8-direction analog joystick	Self-reset
14	Cross five-speed rocker	Self-reset
15	Cross joystick (switch quantity)	Self-reset
16	Cross joystick (switch quantity)	Self-lock
17	Cross joystick (analog)	Self-reset
18	One word rocker (switch quantity)	Self-reset
19	One word rocker (switch quantity)	Self-lock
20	One word rocker (analog)	Self-reset
21	Emergency stop	
22	Receiver start button	Self-reset
23	Indicator light - green	
24	Indicator light - red	
25	LCD screen	
26	External antenna	
27	8-direction joystick	Self-reset

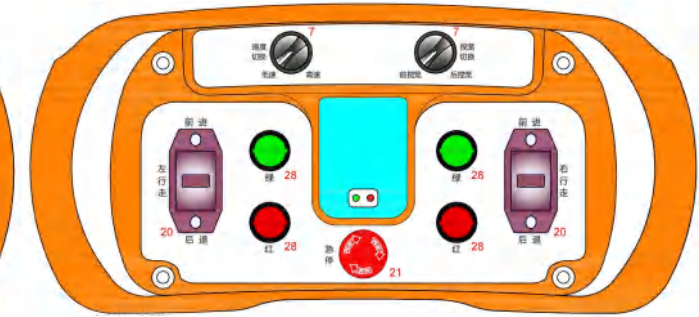
Launcher production requirements	
1	
2	
3	
4	
5	
6	
7	
8	

Model number	Q9004	First draft	<input type="checkbox"/>
Date	2022/11/14	Final draft	<input checked="" type="checkbox"/>
Design			
Version	1.0		
Industrial remote control		<b>LCC</b>	
Nanjing Xiading Electronic Technology Co., Ltd.			



(Custom Figure 1)



(Custom Figure 2)

## Scope of application

Truck cranes, aerial work vehicles, crawler cranes, grinders, shotcrete machines, distributors, ship unloaders, agricultural tractors, track-laying machines, tower cranes, mobile crushers, pump trucks, towing pumps, drilling rigs, AGV, sanitation trucks, fire engines, electric construction vehicles, agricultural equipment, special robots, engineering vehicles, train locomotives, special drilling equipment and other equipment requiring remote control.

# L300 Series Joystick transmitter



(Length)310mm X (Width)190mm X (Height)180mm

## Product function

- Support 16 analog signal input (can be externally connected with cross rocker, one-word pull lever or knob potentiometer)
- Up to 48 switch signal input points.
- Support LED lamp indication (operation indication, battery status, fault status, feedback switching value)
- Display screen can be installed



The L300 Series Telecontrol Transmitter is a powerful, feature-rich transmitter that contains many control elements and functional markers. With modular design, it combines flexible technology design and many value-added features, and can be easily adjusted to suit your requirements.

Super safety design, more than 4.3 billion kinds of never-repeat safety codes, fault self-diagnosis and automatic frequency locking tracking, etc.

The extraordinary communication design, synchronous encoding and decoding data transmission, with software to eliminate interference, debug, correction functions.

The use of advanced processors with built-in multi-bit Hamming codes: high speed, high security, high accuracy and 100 percent error-free encoding and decoding.

Shell of reinforced fibre plastic: The rugged transmitter prevents damage from strong impact and frequent drops.

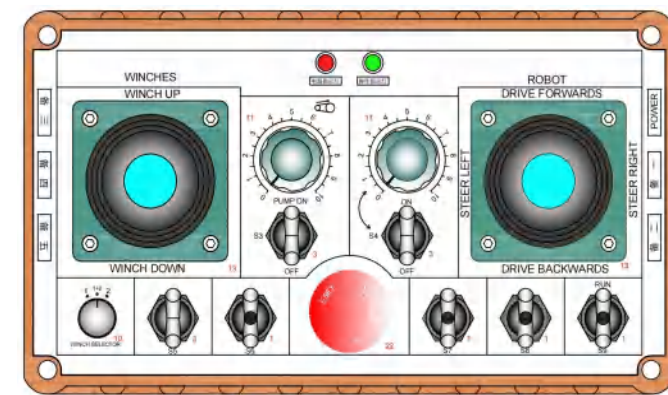
Intelligent active safety function design: such as failure to start when switch/rocker and other components fail, reinforced watchdog automatic stop device, countermeasures to prevent sudden power cut-off, etc.

A super waterproof and oil resistant rating: Launch and receive in full compliance with IP66/NEMA4 international specifications.

# It can be customized according to customer needs.....

## Introduction to Customized Icons

1	2	3	4	5	6	7	8																																																																		
LAUNCHER																																																																									
Start method Turn on the transmitter power --> pull up the emergency stop --> press to start																																																																									
A Shell model		L300																																																																							
Size Length		310mm																																																																							
Width		190mm																																																																							
High		180mm																																																																							
B Panel material		304 stainless steel																																																																							
Protection class		IP65																																																																							
Electricity		10% or more 10% or less																																																																							
Connection method		Cable CAN2.0 RS485																																																																							
C		<table border="1"> <tr> <td>1</td> <td>Three-position self-locking toggle switch</td> <td>R-0-R</td> </tr> <tr> <td>2</td> <td>Three-position self-resetting toggle switch</td> <td>T-0-T</td> </tr> <tr> <td>3</td> <td>Two-position self-locking toggle switch</td> <td>0-R/R-R</td> </tr> <tr> <td>4</td> <td>Two-position self-resetting toggle switch</td> <td>0-T/T-T</td> </tr> <tr> <td>5</td> <td>Three-position self-resetting self-locking toggle switch</td> <td>R-0-T</td> </tr> <tr> <td>6</td> <td>Self-reset button</td> <td>black/silver</td> </tr> <tr> <td>7</td> <td>Two-position self-locking rotary switch</td> <td></td> </tr> <tr> <td>8</td> <td>Three-position self-locking rotary switch</td> <td></td> </tr> <tr> <td>9</td> <td>Self-locking button</td> <td></td> </tr> <tr> <td>10</td> <td>Multi-position self-locking gear switch</td> <td>2-11 gears</td> </tr> <tr> <td>11</td> <td>Single Turn Rotary Potentiometer</td> <td></td> </tr> <tr> <td>12</td> <td>8-direction five-speed joystick</td> <td>Self-reset</td> </tr> <tr> <td>13</td> <td>8-direction analog joystick</td> <td>Self-reset</td> </tr> <tr> <td>14</td> <td>Cross five-speed rocker</td> <td>Self-reset</td> </tr> <tr> <td>15</td> <td>Cross joystick (switch quantity)</td> <td>Self-reset</td> </tr> <tr> <td>16</td> <td>Cross joystick (switch quantity)</td> <td>Self-lock</td> </tr> <tr> <td>17</td> <td>Cross joystick (analog)</td> <td>Self-reset</td> </tr> <tr> <td>18</td> <td>One word rocker (switch quantity)</td> <td>Self-reset</td> </tr> <tr> <td>19</td> <td>One word rocker (switch quantity)</td> <td>Self-lock</td> </tr> <tr> <td>20</td> <td>One word rocker (analog)</td> <td>Self-reset</td> </tr> <tr> <td>21</td> <td>Emergency stop</td> <td>Self-reset</td> </tr> <tr> <td>22</td> <td>Receiver start button</td> <td>Self-reset</td> </tr> </table>						1	Three-position self-locking toggle switch	R-0-R	2	Three-position self-resetting toggle switch	T-0-T	3	Two-position self-locking toggle switch	0-R/R-R	4	Two-position self-resetting toggle switch	0-T/T-T	5	Three-position self-resetting self-locking toggle switch	R-0-T	6	Self-reset button	black/silver	7	Two-position self-locking rotary switch		8	Three-position self-locking rotary switch		9	Self-locking button		10	Multi-position self-locking gear switch	2-11 gears	11	Single Turn Rotary Potentiometer		12	8-direction five-speed joystick	Self-reset	13	8-direction analog joystick	Self-reset	14	Cross five-speed rocker	Self-reset	15	Cross joystick (switch quantity)	Self-reset	16	Cross joystick (switch quantity)	Self-lock	17	Cross joystick (analog)	Self-reset	18	One word rocker (switch quantity)	Self-reset	19	One word rocker (switch quantity)	Self-lock	20	One word rocker (analog)	Self-reset	21	Emergency stop	Self-reset	22	Receiver start button	Self-reset
1	Three-position self-locking toggle switch	R-0-R																																																																							
2	Three-position self-resetting toggle switch	T-0-T																																																																							
3	Two-position self-locking toggle switch	0-R/R-R																																																																							
4	Two-position self-resetting toggle switch	0-T/T-T																																																																							
5	Three-position self-resetting self-locking toggle switch	R-0-T																																																																							
6	Self-reset button	black/silver																																																																							
7	Two-position self-locking rotary switch																																																																								
8	Three-position self-locking rotary switch																																																																								
9	Self-locking button																																																																								
10	Multi-position self-locking gear switch	2-11 gears																																																																							
11	Single Turn Rotary Potentiometer																																																																								
12	8-direction five-speed joystick	Self-reset																																																																							
13	8-direction analog joystick	Self-reset																																																																							
14	Cross five-speed rocker	Self-reset																																																																							
15	Cross joystick (switch quantity)	Self-reset																																																																							
16	Cross joystick (switch quantity)	Self-lock																																																																							
17	Cross joystick (analog)	Self-reset																																																																							
18	One word rocker (switch quantity)	Self-reset																																																																							
19	One word rocker (switch quantity)	Self-lock																																																																							
20	One word rocker (analog)	Self-reset																																																																							
21	Emergency stop	Self-reset																																																																							
22	Receiver start button	Self-reset																																																																							
D		<table border="1"> <tr> <td>23</td> <td>Indicator light - green</td> <td></td> </tr> <tr> <td>24</td> <td>Indicator light - red</td> <td></td> </tr> <tr> <td>25</td> <td>LCD screen</td> <td></td> </tr> <tr> <td>26</td> <td>External antenna</td> <td></td> </tr> <tr> <td>27</td> <td>8-direction joystick</td> <td>Self-reset</td> </tr> </table>						23	Indicator light - green		24	Indicator light - red		25	LCD screen		26	External antenna		27	8-direction joystick	Self-reset																																																			
23	Indicator light - green																																																																								
24	Indicator light - red																																																																								
25	LCD screen																																																																								
26	External antenna																																																																								
27	8-direction joystick	Self-reset																																																																							
E		<table border="1"> <tr> <td colspan="2">Launcher production requirements</td> <td colspan="2">Model number</td> <td colspan="2">XD-M4S7-A230217</td> <td colspan="2">First draft</td> </tr> <tr> <td colspan="2">1</td> <td colspan="2">Date</td> <td colspan="2">2025/02/25</td> <td colspan="2">Final draft</td> </tr> <tr> <td colspan="2">2</td> <td colspan="2">Design</td> <td colspan="2"></td> <td colspan="2">LCC</td> </tr> <tr> <td colspan="2">3</td> <td colspan="2">Proofread</td> <td colspan="2"></td> <td colspan="2"></td> </tr> <tr> <td colspan="2">4</td> <td colspan="2">Industrial remote control</td> <td colspan="2"></td> <td colspan="2"></td> </tr> <tr> <td colspan="2">5</td> <td colspan="2">Nanjing Xiading Electronic Technology Co., Ltd.</td> <td colspan="2"></td> <td colspan="2"></td> </tr> </table>						Launcher production requirements		Model number		XD-M4S7-A230217		First draft		1		Date		2025/02/25		Final draft		2		Design				LCC		3		Proofread						4		Industrial remote control						5		Nanjing Xiading Electronic Technology Co., Ltd.																							
Launcher production requirements		Model number		XD-M4S7-A230217		First draft																																																																			
1		Date		2025/02/25		Final draft																																																																			
2		Design				LCC																																																																			
3		Proofread																																																																							
4		Industrial remote control																																																																							
5		Nanjing Xiading Electronic Technology Co., Ltd.																																																																							
F		<table border="1"> <tr> <td>1</td> <td>2</td> <td>3</td> <td>4</td> <td>5</td> <td>6</td> <td>7</td> <td>8</td> </tr> </table>						1	2	3	4	5	6	7	8																																																										
1	2	3	4	5	6	7	8																																																																		



(Custom Figure 1)



(Custom Figure 2)

## Scope of application

Truck cranes, aerial work vehicles, crawler cranes, grinders, shotcrete machines, distributors, ship unloaders, agricultural tractors, track-laying machines, tower cranes, mobile crushers, pump trucks, towing pumps, drilling rigs, AGV, sanitation trucks, fire engines, electric construction vehicles, agricultural equipment, special robots, engineering vehicles, train locomotives, special drilling equipment and other equipment requiring remote control.

## XDA series-Handheld analog knob

Hand-held analogue



### PRODUCT FUNCTION

- Support 4 channels of analog signal output
  - Support 6 channels/14 channels of switch output
  - The display content can be customized
  - The wireless WIFI module can be used to change parameters
  - Can realize one-to-one or one-to-many
- Selectable communication methods: Modbus RTU485, CAN2.0B wireless remote control pairing
- The receiver can automatically search the transmitter channel function, and no professional equipment pairing is required to replace the transmitter.
- The transmitter button can be pressed continuously for 2 million times, making it absolutely sturdy and durable.
- Synchronous encoding and decoding data transmission technology, with software interference elimination, error detection, and correction functions.
- Multiple security protection design, more than 4.3 billion never-repeated security codes, self-defeating. Diagnostics and automatic frequency lock tracking.
- Industrial-grade reinforced nylon shell, high temperature resistance, waterproof and oil-proof. IP65/NEMA international specification.



## LBA series-display model Display model



### Specification

#### Technical specifications

Shell: Industrial PA6+30%GF  
 Protection level: IP65  
 Transmitter specifications:  
 Frequency: 433MHz  
 Transmitter RF power: less than 10mW  
 Power supply: LR (AA) 3.7Vx2 DC7.4V  
 Modulation method: GFSK  
 Frequency control: PLL  
 Temperature range: -35°C~+75°C  
 Transmitter power supply: 2 alkaline AA batteries  
 Transmitter size: 192\*76\*40mm

#### Receiver specifications

Shell: Industrial PA6+30%GF  
 Protection level: IP65  
 Receiving sensitivity: -112dBm  
 Modulation method: GFSK  
 Frequency control: PLL  
 Antenna impedance: 50Ω  
 Capacity: 5A@250V  
 Power supply: AC/DC 9-24V  
 Average power consumption (standby) 15mA@AC220V  
 Temperature range: -35°C~+75°C  
 Voltage: 0-5V 0-10V inching self-locking (optional)  
 Transmitter size: 166\*110\*56mm  
 \*The specific dimensions are subject to the actual object.

#### Application scope

Welding and cutting, submerged arc welding, gas arc welding, gas shielded welding wireless remote control, welding machine operator, special plane, cross wireless remote control, pump truck, towing pump, drilling rig, AGV, sanitation truck, fire truck, electric construction truck, agricultural equipment, special robots, engineering vehicles, special drilling equipment and other equipment that require remote control.



# BQ series-explosion-proof remote control

Explosion-proof remote control



**Model: BQ600**  
6-point single/double speed button  
L 190×W 72×H 40mm  
Weight:0.28kg



**Model: BQ1200**  
12-point single/double speed button  
L 239×W72×H 40mm  
Weight:0.36kg

## PRODUCT FUNCTIONS

- 2-12 single/double speed switching values
- Fully explosion-proof/semi-explosion-proof optional
- Optional output 485, 232, CAN
- Can achieve one-to-one or one-to-many
- **Ergonomic and lightweight**    · **High security and reliability**
- **Wireless remote control pairing**
- The application of functions and parameters can be programmed through the computer interface and the required function settings can be changed
- Multiple security protection design, more than 4.3 billion never-repeated security codes, fault self-diagnosis and automatic frequency locking tracking
- Synchronous encoding and decoding data transmission technology, with software interference elimination, error detection, and correction functions
- The transmitter button can be pressed continuously for 2 million times, making it absolutely sturdy and durable.
- The standard operating distance is 100 meters (other control distances can be customized)
- The receiver can automatically search the transmitter channel function, and no professional equipment pairing is required to replace the transmitter.
- Industrial-grade reinforced nylon shell, high temperature resistance, waterproof and oil-proof, fully compliant with IP66/NEMA international specifications

## Explosion-proof type:

**Explosion-proof is divided into three categories**

- I: Underground electrical equipment in coal mines;
- II: electrical equipment for all other explosive gas environments except coal mines and underground mines.

Class II can be further divided into Class IIA, IB, and IIC. Equipment marked IIB can be applied to the use conditions of IIA equipment; IIC can be applied to the use conditions of IIA and IB.

III: Electrical equipment in explosive dust environments other than coal mines.

Class IA: flammable flying dust; Class IB: non-conductive dust; Class IIIC: conductive dust.

## Specification

### Transmitterspecifications

Frequency: 433/480MHz  
Transmitter RF power: less than 10mW  
Remote control distance: 100M  
Power supply: LR (AA) 1.5Vx2 DC3V  
Modulation method: GFSK  
Frequency control: PLL  
Antenna impedance: 50Ω  
Command response time: less than 100ms  
Stop command response time: less than 100ms  
Average power consumption: 8mA@DC3V  
Operating temperature: -35°C - +75A°C  
Shell material: Industrial PA6+30%GF  
Protection level: IP65

### Receiver specifications

Frequency: 433/480MHz Shell material: Industrial PA6+30%GF  
Reception sensitivity: -112dBm Protection level: IP65  
Remote control distance: 100M  
Modulation method: GFSK  
Frequency control: PLL  
Antenna impedance: 50Ω  
Response time: 20-100MS  
Capacity: 5A@250V  
Power supply: AC/DC24V - 264V AC/DC110V-460V  
AC/DC 9-24V AC/DC 36-480V  
Average power consumption (standby) 15mA@AC220V  
Operating temperature: -35° C - +75° C

## Receiver











**With Explosin-proof Certificate**

Complete qualifications



**Various types of industrial remote controls can be customized and developed according to customer requirements (some cases)**

7-position knob + 6 buttons 	4 knobs + 2 buttons 	3 knobs + 7 buttons 	1 knob + 12 buttons 
3 analog + 4 knobs 	10-way switch + indicator light 	3-way switch + indicator light 	4 knobs + 4 buttons 
16 knobs 	10 knobs and 8 switches 	8 knobs+8 buttons 	5-speed selection + two-speed button 
1 knobs+11 single speed buttons 	Display + 10 buttons 	Display + 2 ratio knobs 	Display multi-channel feedback 

Downhole mobile robotic arm 	Aerial work vehicle 
European style driving 	bBridge building machine 
Crane 	Ground grinder 
Smart forklift 	Crawler crane 
Crawler walking machine 	Intelligent track car 

Various types of industrial remote controls can be customized and developed according to customer requirements (some cases)

